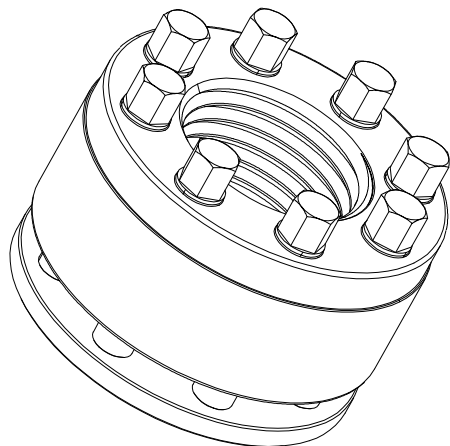
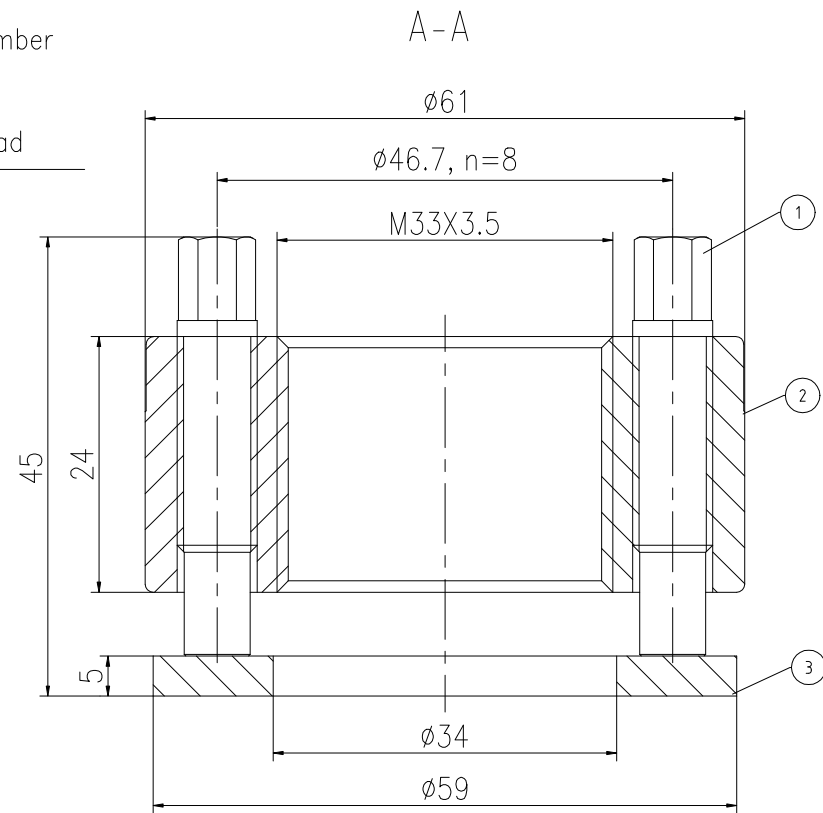
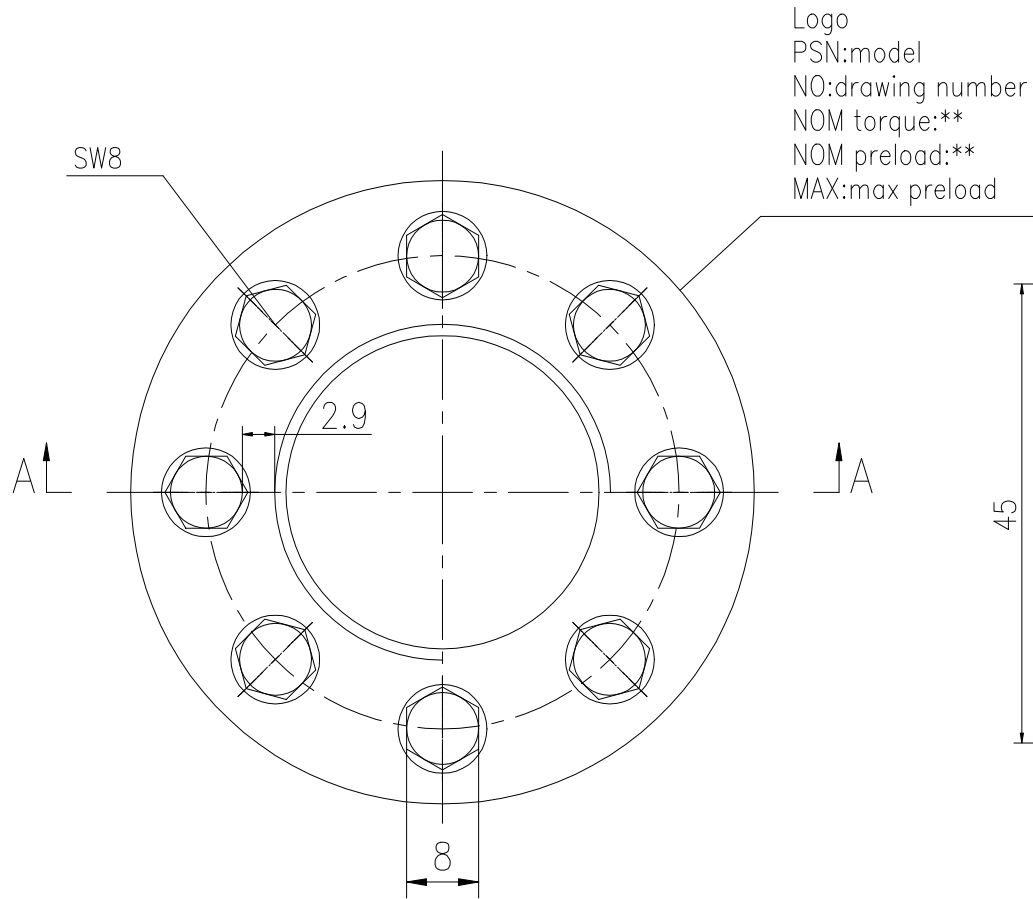


Unmarked tolerances shall be implemented in accordance with ISO 2768-mk.				
1-6 Ø:1	>6-30 Ø:2	>30-120 Ø:3	>120-400 Ø:5	>400-1000 Ø:8

REVISION HISTORY		DWG CHECK	APPR BY	APPR DATE
REV	DESCRIPTION			



PARTS LIST					
PART	DWG NO.	QTY	DESCRIPTION	MATERIAL	WEIGHT(kg)
1	BAS9.520401	8	Bolt 3/8-20UNF	CrNiMo	0.02/pcs
2	AS333.541M-1	1	Nut M33X3.5	CrNiMo	0.31
3	AS333.541M-3	1	Gasket 34X59X5	CrNiMo	0.07

During on-site installation, please adjust the torque in conjunction with the bolt stretching distance. Without our authorization, the drawings shall not be shared with any third party, and we reserve the right to pursue legal liability against those who disclose the drawings to external parties.

NOM TORQUE	42NM	上海康普曼传动机械有限公司		+86 021-61301856
NOM PRELOAD	285KN	KPM Power Transmission (Shanghai) Co.,Ltd		Liang.Guo@kpmdrive.com.cn
MAX PRELOAD CAPACITY	380KN	DESIGNED: DAYE: 2025.11.06	ASM-33X3.5	WEIGHT: 0.56
LUBRICANT	G-N PLUS	REVIEWED: DAYE: 2025.11.06		STATE:
TEMPERATURE RATING	-25 C~250 C	DRAWN: DAYE:	DWG NO: AS333.541M	SHEET: 1:1
				PRELIMINARY APPROVED

DWG NO: AS333.541M SHEET: 1:1