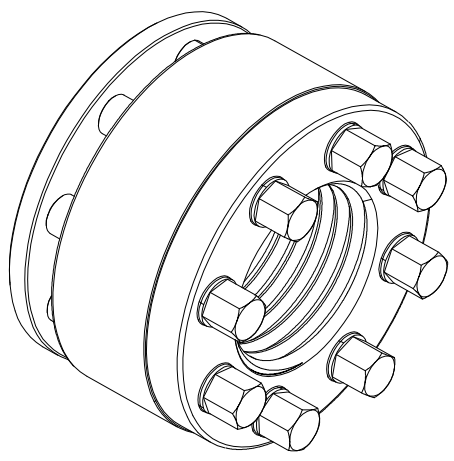
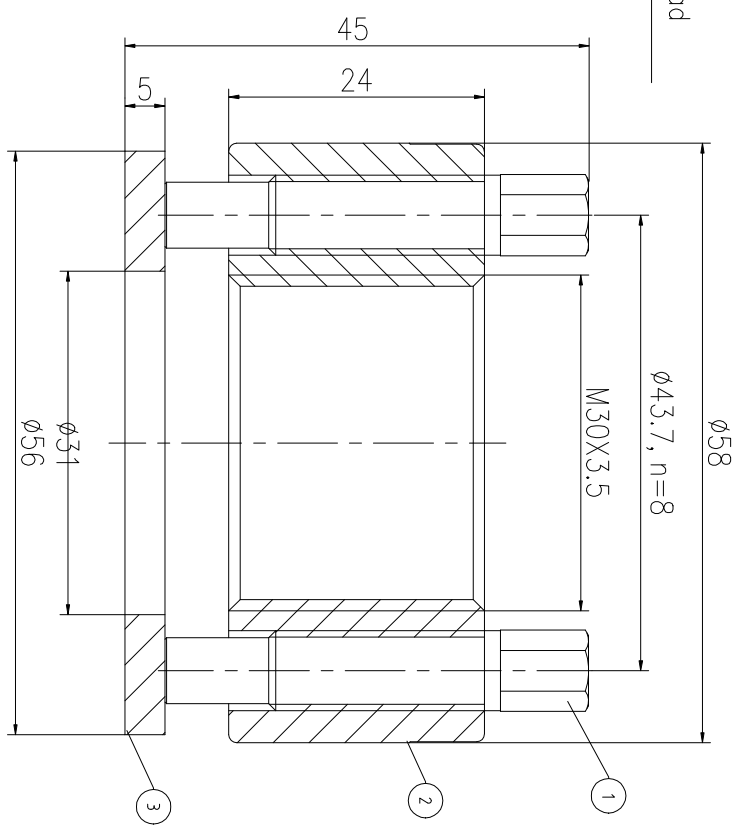
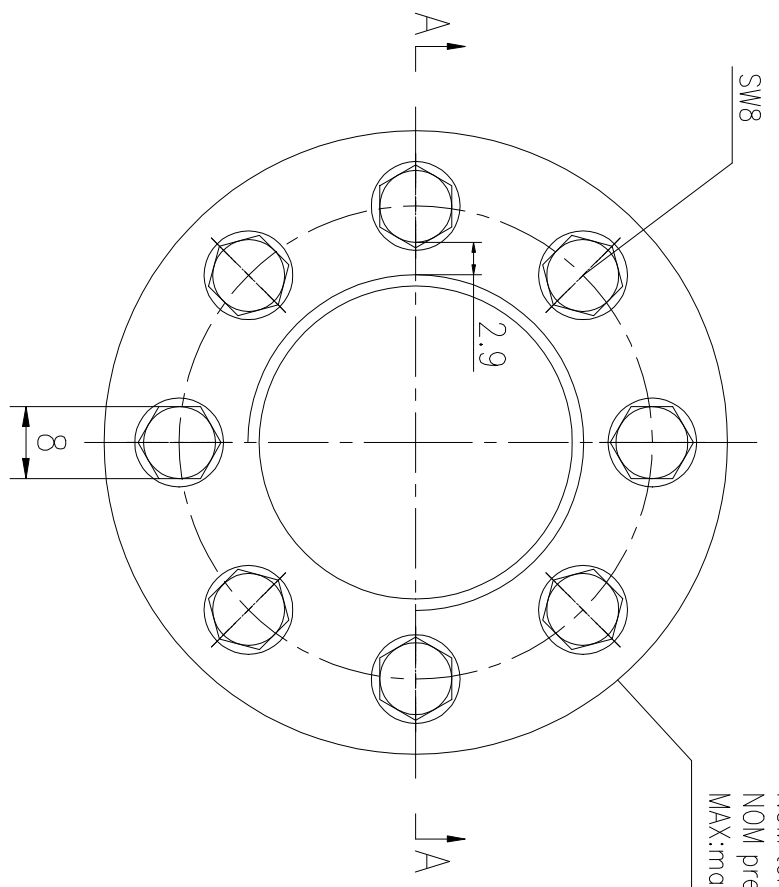


REV	DESCRIPTION	DWG CHECK	APPR BY	APPR DATE

REVISION HISTORY

Logo  
 PSN:model  
 NO:drawing number  
 NOM torque:\*\*  
 NOM preload:\*\*  
 MAX:max preload

A-A



PART	DWG NO.	QTY	DESCRIPTION	MATERIAL	WEIGHT(kg)
1	BAS9.520401	8	Bolt 3/8-20UNF	CNMMo	0.02/pcs
2	AS303.541H-1	1	Nut M30X3.5	CNMMo	0.29
3	AS303.541H-3	1	Gasket 31X56X5	CNMMo	0.07

During on-site installation, please adjust the torque in conjunction with the bolt stretching distance. Without our authorization, the drawings shall not be shared with any third party, and we reserve the right to pursue legal liability against those who disclose the drawings to external parties.

上海康普曼传动机械有限公司      +86 021-61301856  
 KPM Power Transmission (Shanghai) Co.,Ltd      Liang.Guo@kpmdrive.com.cn

NOM TORQUE	42NM	DESIGNED:	DATE:	2025.11.06	ASH-30X3.5	DWG NO.:	AS303.541H	SHEET:	1:1
NOM PRELOAD	214KN	REVIEWED:	DATE:	2025.11.06					
MAX PRELOAD CAPACITY	285KN	DRAWN:	DATE:	2025.11.06	STATE:	PRELIMINARY APPROVED			
LUBRICANT	G-N PLUS	TEMPERATURE RATING							
TEMPERATURE RATING		-25 C~250 C							